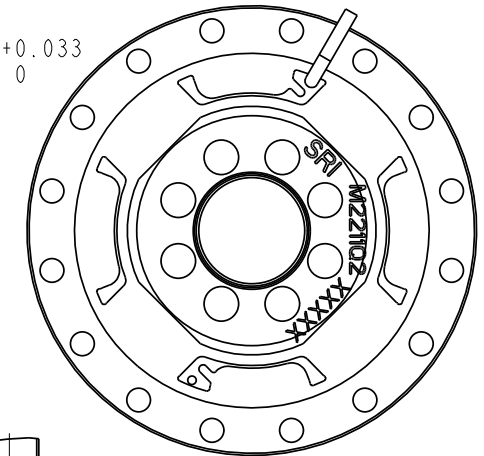
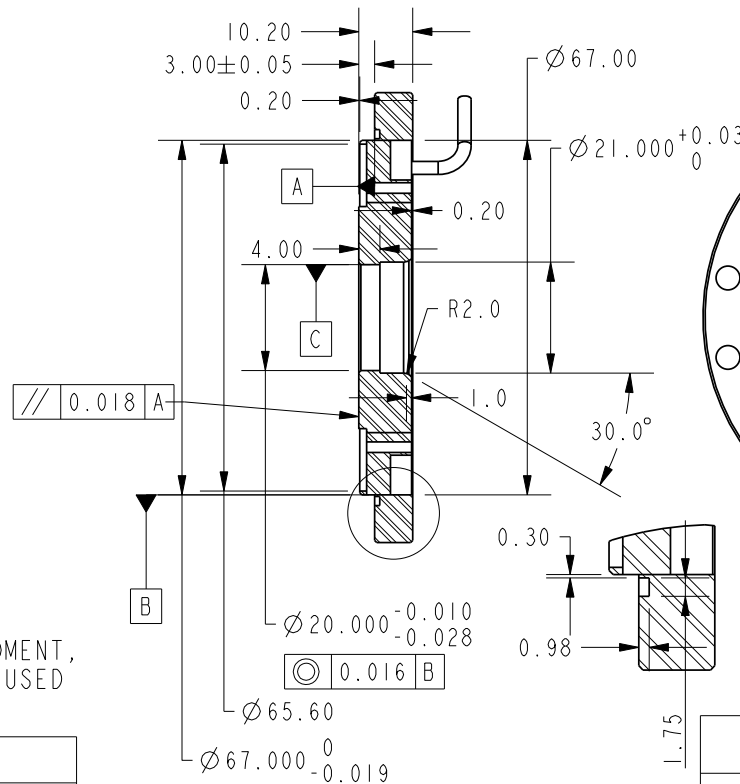


NOTE: THE OVERLOAD CAPACITIES FOR BENDING MOMENT, AXIAL AND RADIAL FORCE EXCEED 300% OF THOSE USED FOR CROSSTALK MEASUREMENT



AWG#30 SINGLE WIRES  
TWISTED FOR SIGNALS  
CONNECTOR PLUG 43020-0400  
WITH CONTACT 43031-0005  
CABLE LENGTH 245±15

### SPECIFICATIONS

CAPACITY (Nm)	250
OVERLOAD CAPACITY (%F.S.)	300
OUTPUT @ F.S. (V) NOMINAL	2.5±2
POWER SUPPLY (V)	5V
BRIDGE RESISTANCE (Ω) NOMINAL	700
NON-LINEARITY (%F.S.)	0.5
HYSTERESIS (%F.S.)	1.0
OPERATING TEMP. RANGE (°C)	-20 TO +85
CROSSTALK (%F.S.)	1.0
AXIAL FORCE FOR CROSSTALK (N)	600
RADIAL FORCE FOR CROSSTALK (N)	600
BENDING MOMENT FOR CROSSTALK (Nm)	20
TORSION ANGLE (CALCULATED)	0.05°
TORSIONAL STIFFNESS (KNm/RAD)	313
BENDING STIFFNESS (kNm/RAD)	40
MASS (KG)	0.28



### WIRING CODE - BOTH CHNS

COLOR	FUNCTION
RED	+EX
GREEN	+SIG
BLACK	GND
BROWN	-SIG

**SUNRISE INSTRUMENTS**

[www.srisensor.com](http://www.srisensor.com)

DUAL CHANNEL TORQUE LOADCELL  
D85MM, 250 Nm

UNLESS OTHERWISE SPECIFIED  
DIMENSIONS ARE IN MM

M2211Q2

REV.  
0.1